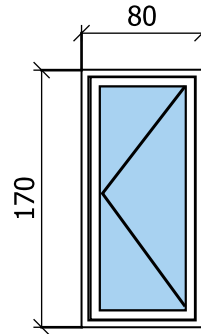
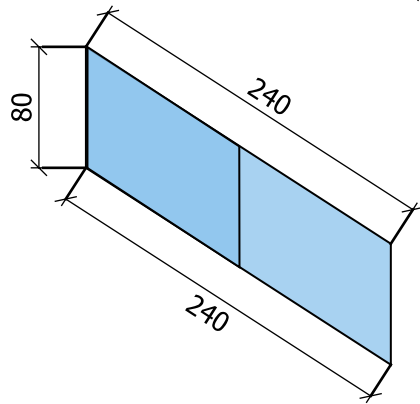


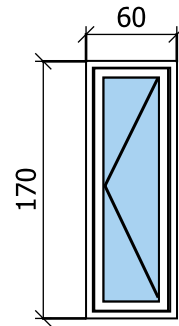
R. 1



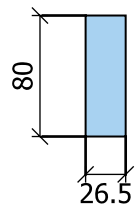
J. 1



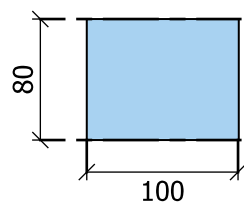
R. 2



J. 2



R. 3



R. 4

POTONGAN RAILING  
SKALA 1 : 50

| No. | DATA SHEET |      |  |                   |
|-----|------------|------|--|-------------------|
|     | CODE       | UNIT | KETERANGAN   | IDR               |
| 1   | R.1        | 1    | KACA TEMPERE 10mm, TANAM U CHANEL PEGANGAN HOLO KOTAK, FINISH DUCO | 4.480.000         |
| 2   | R.2        | 1    | KACA TEMPERE 10mm, TANAM U CHANEL PEGANGAN HOLO KOTAK, FINISH DUCO | 3.840.000         |
| 3   | R.3        | 1    | KACA TEMPERE 10mm, TANAM U CHANEL PEGANGAN HOLO KOTAK, FINISH DUCO | 424.000           |
| 4   | R.4        | 1    | KACA TEMPERE 10mm, TANAM U CHANEL PEGANGAN HOLO KOTAK, FINISH DUCO | 1.600.000         |
|     |            |      |  | <b>10.344.000</b> |
| 5   | J.1        | 1    | ALUMINIUM 3" KACA HITAM 4mm  | 1.632.000         |
| 6   | J.1        | 1    | ALUMINIUM 3" KACA HITAM 4mm  | 1.224.000         |
|     |            |      |  | <b>2.856.000</b>  |
|     |            |      |  | <b>13.200.000</b> |



LEGEND

|  |            |            |
|--|------------|------------|
| AMANDEMEN DESCRIPTION                          |            |            |
|  |            |            |
| PROYEK   |            |            |
|  |            |            |
| LOKASI   |            |            |
| CLUSTER VIVALDI U1 No.16<br>TANGGERANG, BANTEN |            |            |
| PEMILIK  |            |            |
|  |            |            |
| KONTRAKTOR                                     |            |            |
|  |            |            |
| DI GAMBAR                                      | DI PERIKSA | DI SETUJUI |
|  |            |            |
| JUDUL GAMBAR                                   |            | SKALA      |
|  |            | 1 : 50     |
| NO GAMBAR                                      | NO LEMBAR  | ARS-RT- 02 |
|  |            |            |
| NOTE :   |            |            |